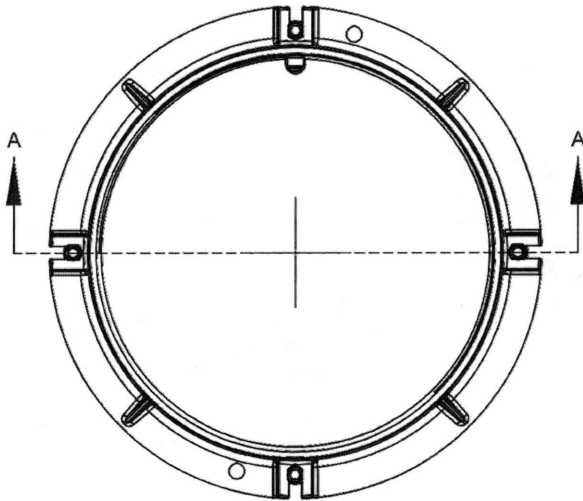
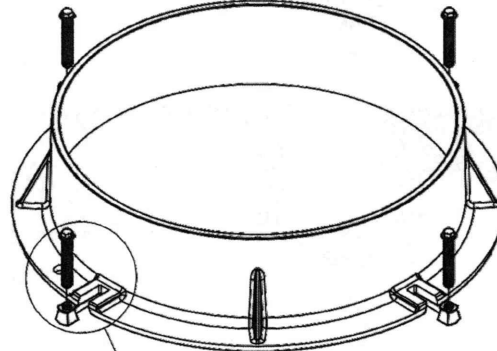


7" ADJUSTABLE RING

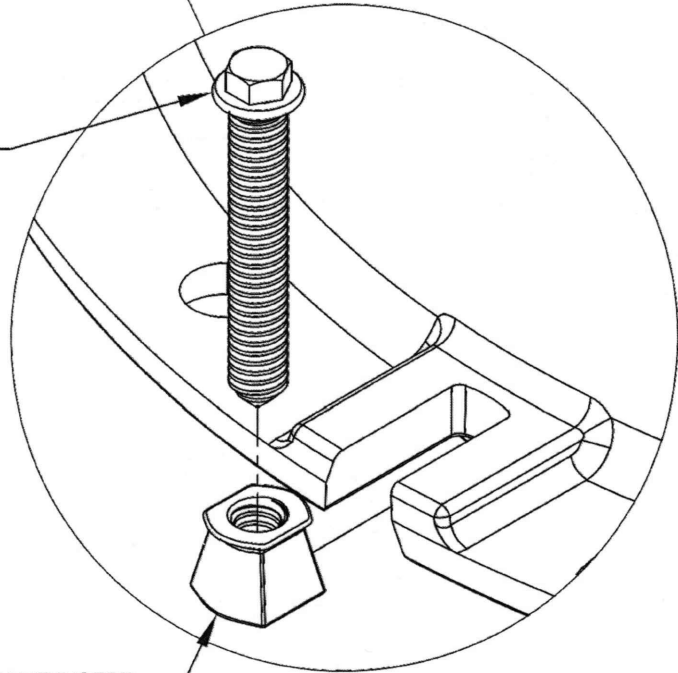


**TOP VIEW**

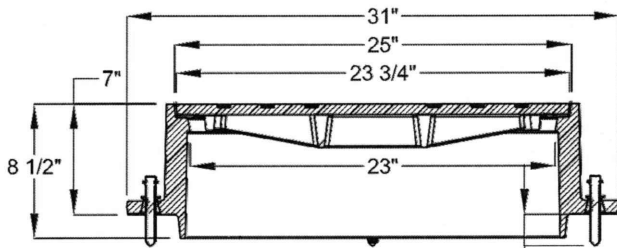


**DETAIL A**

(4) 5/8" BY 4" JACK SCREW  
WITH 5/8" HEX HEAD



(4) 5/8" SLOT NUT INSERT



2 7/8" MAX LIFT (4" SCREW)  
(SHORTER SCREWS AVAILABLE)

**SECTION A-A**

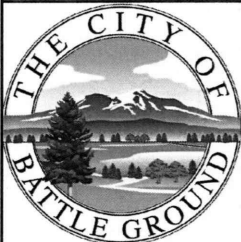
**NOTES:**

1. CASTING ASSEMBLY TO BE H20 LOAD RATING OR AS APPROVED BY CITY ENGINEER.
2. SCREWS SHALL BE ZINC-PLATED, MILD STEEL CONFORMING TO ASTM A 1018.
3. NUTS SHALL BE ZINC ALLOY CONFORMING TO ASTM C41A.
4. GAPS SHALL BE FILLED WITH NON-SHRINK GROUT PER THE MOST CURRENT WSDOT STD. SPECIFICATION 9-20.3(2).
5. MANHOLE RING SHALL BE SHIMLESS ADJUST-TO-GRADE FOLLOWING MANUFACTURER'S REQUIREMENTS. ADJUST SCREWS TO MEET FINISHED GRADE.

N.T.S.

**RIM RISER**

**DETAIL**



**MANHOLE RISER REPAIRS**

*Repair Jobs 5/17/22*

REVISIONS:	DATE:	DRAWN:	DESIGNED:
1	5/09/22	CAS	CAS

D-1.2