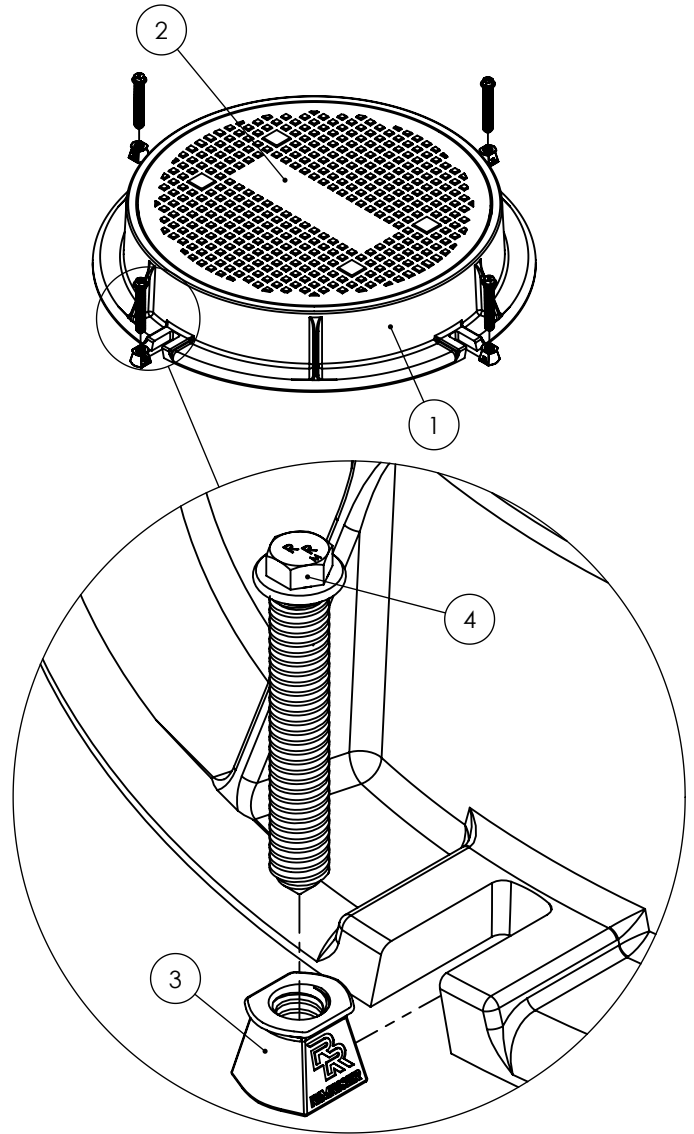
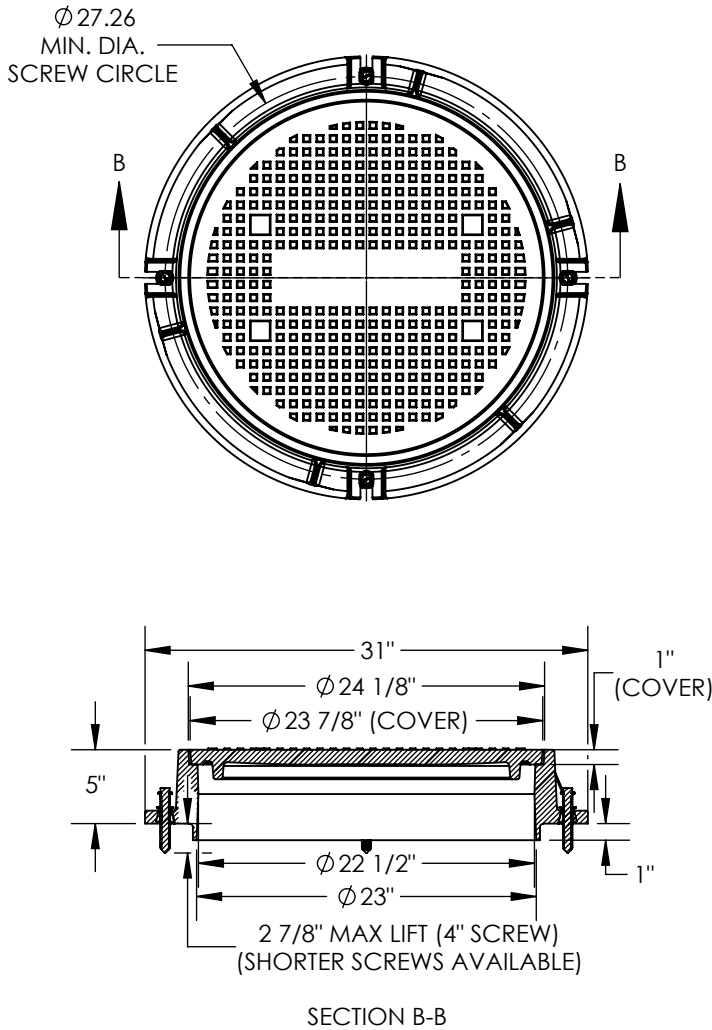


ITEM NO.	PART NUMBER	DESCRIPTION	QTY.
1	A-1055-RR1	RIMRISER 5" ADJUSTABLE MANHOLE RING (D&L FOUNDRY)	1
2	A-1055-RR1 COVER	23 7/8" COVER (D&L FOUNDRY)	1
3	RR-0001	5/8" SLOT NUT INSERT	4
4	RR-0058-4	5/8" X 4" JACK SCREW / 5/8" HEX HEAD	4
CONTACT SUPPLIER FOR COVER OPTIONS			



DETAIL A

NOTES:

1. NO SHIMS REQUIRED. ADJUST SCREWS TO MEET FINISHED GRADE.
2. CASTING ASSEMBLY: AASHTO M-306 CERTIFIED; H-20 OR "TRAFFIC-RATED".
3. CASTINGS: GRAY IRON CONFORMS TO ASTM A48 CL35B.
4. SCREWS: ZINC-PLATED, MILD STEEL CONFORMS TO ASTM A1018.
5. NUTS: ZINC ALLOY CONFORMS TO ASTM C41A.
6. FILL AND PACK GAP BETWEEN FRAME AND SUPPORTING BASE WITH NON-SHRINK GROUT OR OTHER CEMENTITIOUS MATERIAL. FINISH SMOOTH/FLUSH WITH INTERIOR AND EXTERIOR OF ADJOINING SURFACES. REFER TO LOCAL SPECIFICATIONS.
7. PATENTS: US 11,326,321 B2; US D956,546 S; EP4110998A1.
8. USE ONLY GENUINE RIMRISER PARTS. ALL PARTS MADE IN USA.

RING COMMONLY USED IN:
UTAH
IDAHO

RIMRISER RESERVES THE RIGHT TO MODIFY OR CHANGE PRODUCT DESIGN OR CONSTRUCTION WITHOUT PRIOR NOTICE AND WITHOUT INCURRING OBLIGATION TO MAKE SIMILAR CHANGES AND MODIFICATIONS TO PRODUCTS PREVIOUSLY OR SUBSEQUENTLY SOLD. SEE YOUR RIMRISER REPRESENTATIVE FOR ANY CLARIFICATION. DIMENSIONS ARE SUBJECT TO MANUFACTURING TOLERANCES. TEL: (360) 833-2277 RIMRISER.COM

 RIMRISER™ 315 N GRAND BLVD, SUITE 100 VANCOUVER, WA 98661	REV.	DATE	APPROVED BY	STANDARD DETAIL TITLE RIMRISER ADJUSTABLE 5" MANHOLE RING & COVER	DRAWN BY	NAME	DATE	
	B	12/23/21	AMB			SRH	06/28/2021	
	C	08/08/23	AMB			DAP	08/08/2023	
					DETAIL NO.	SD-A-1055-RR1		
					SIZE	A NOT TO SCALE		REV. C